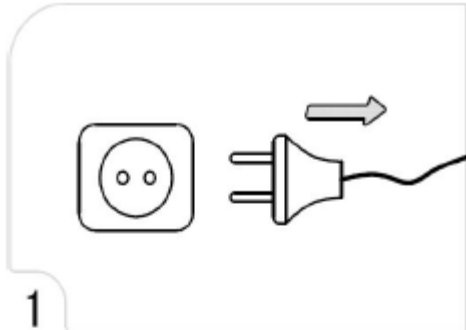
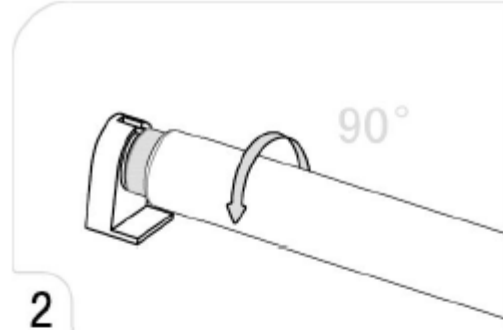


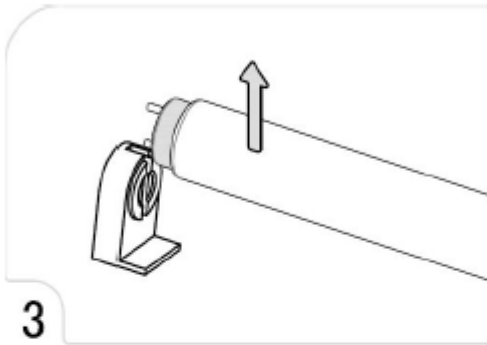
In order to better ensure the LED tube light work normally and save energy, please read this manual carefully before installation.



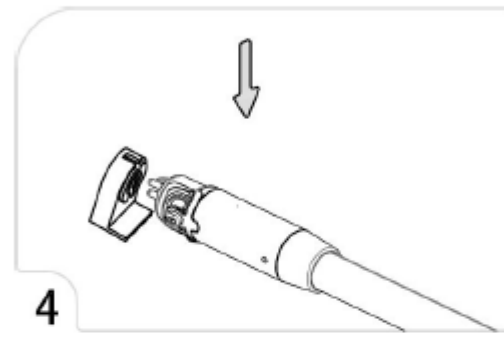
Step1: Switch off electricity.



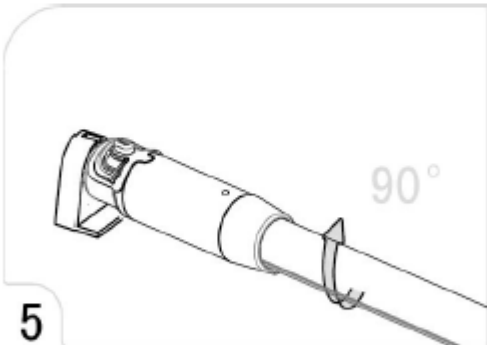
Step2: Turn the conventional tube light by 90° .



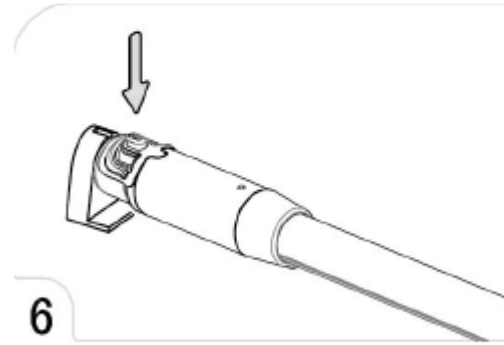
Step3: Remove the conventional tube light.



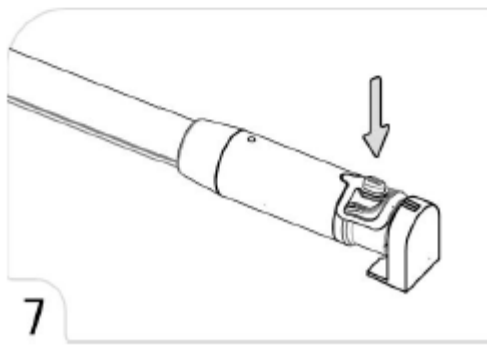
Step4: Insert the LED tube light into the lamp holder.



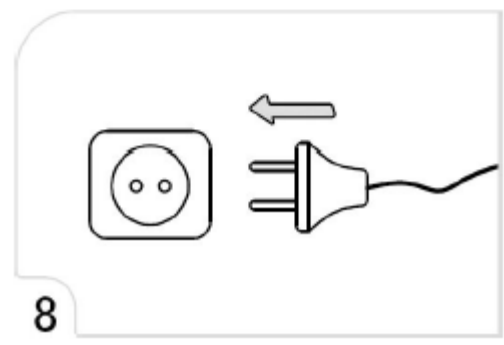
Step5: Secure the position by turning the LED tube light by 90° .



Step6: Press the left button cap raised conduction



Step7: Press the button on the right cap raised conduction



Step8: Switch on electricity.